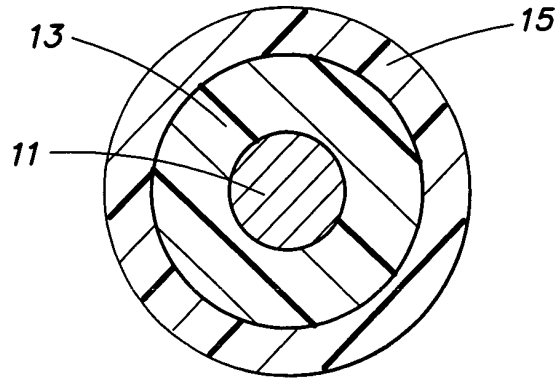
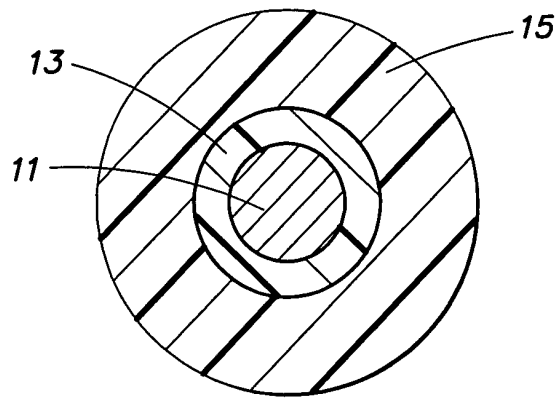




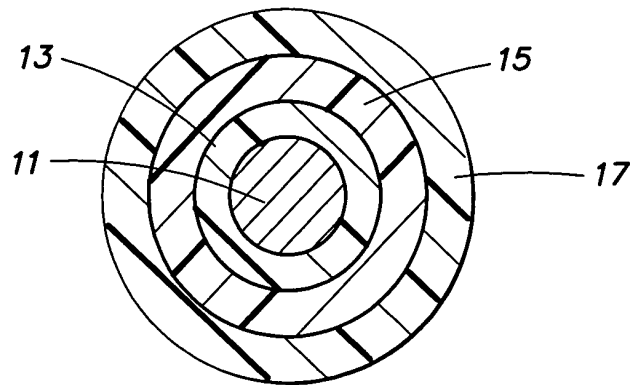
TWISTED PAIR CABLE WITH DUAL LAYER INSULATION  
HAVING IMPROVED TRANSMISSION CHARACTERISTICS  
Vexler, et al.  
Serial No.: 09/585,072  
Confirmation No. 5741  
Docket No.: N00401.70005.US



**FIG. 1**



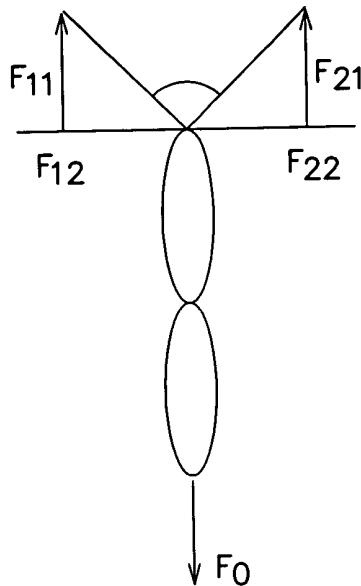
**FIG. 2a**



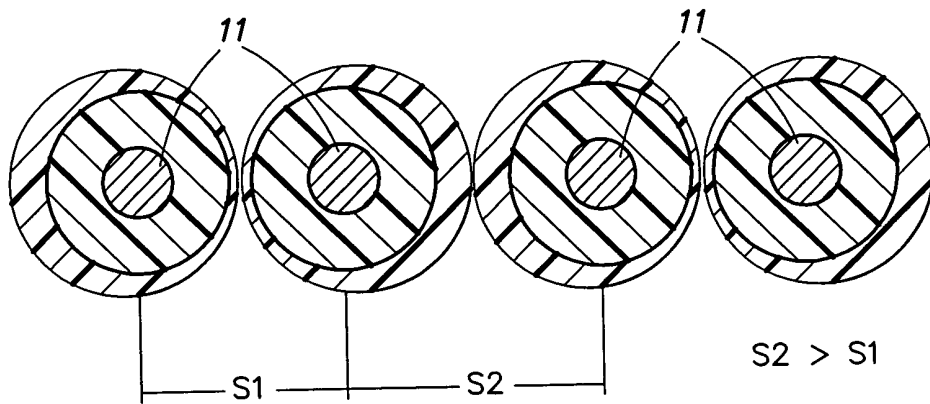
**FIG. 2b**



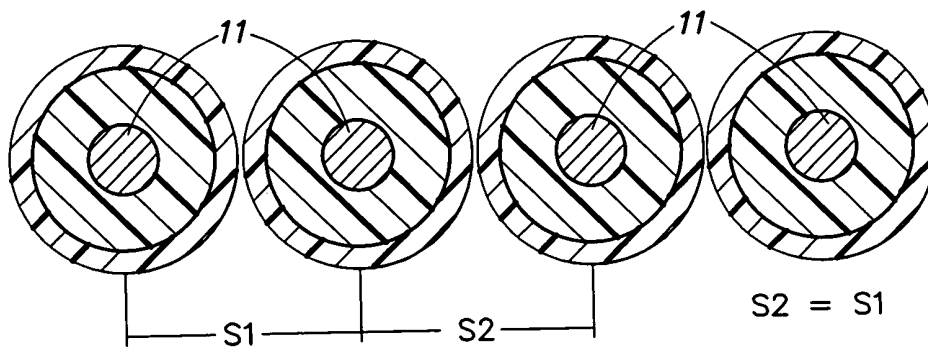
TWISTED PAIR CABLE WITH DUAL LAYER INSULATION  
HAVING IMPROVED TRANSMISSION CHARACTERISTICS  
Vexler, et al.  
Serial No.: 09/585,072  
Confirmation No. 5741  
Docket No.: N00401.70005.US



**FIG. 3**



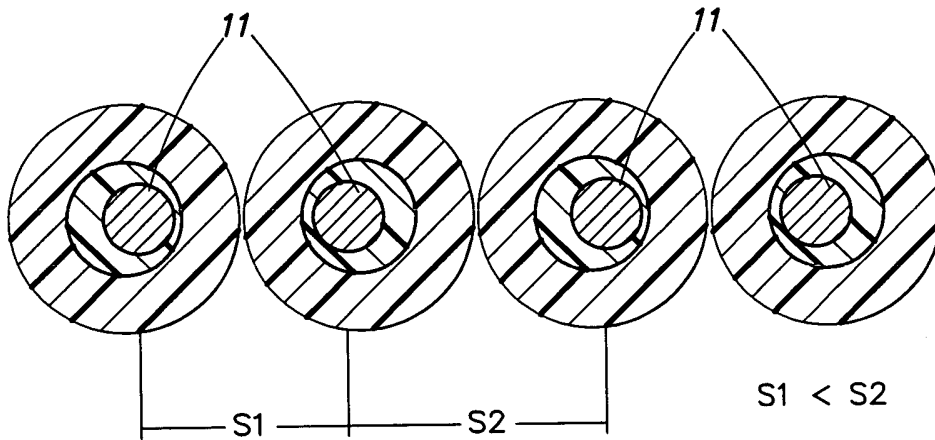
**FIG. 4a**



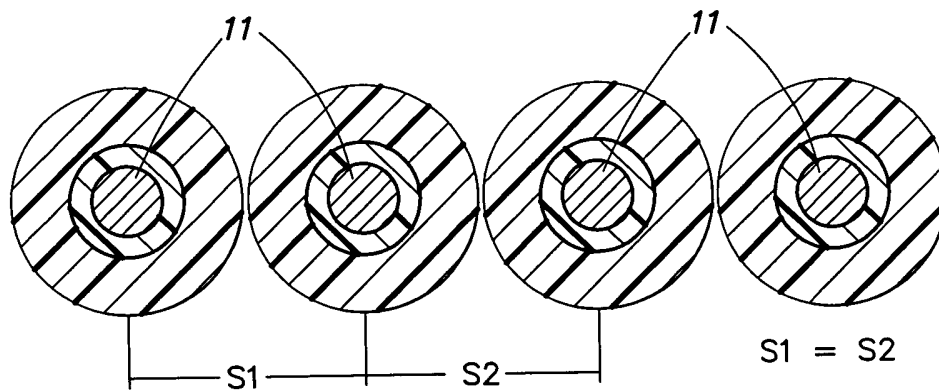
**FIG. 4b**  
(PRIOR ART)



TWISTED PAIR CABLE WITH DUAL LAYER INSULATION  
HAVING IMPROVED TRANSMISSION CHARACTERISTICS  
Vexler, et al.  
Serial No.: 09/585,072  
Confirmation No. 5741  
Docket No.: N00401.70005.US



**FIG. 5a**



**FIG. 5b**  
(PRIOR ART)